

QSI LASER DIODE SPECIFICATIONS FOR APPROVAL

Customer :

Model : QL78G6SF-1

Signature of Approval

Approved by _____

Checked by _____

Issued by _____

Approval by Customer



QSI Co., Ltd.

**315-9, Cheonheung-ri, Sungger-eup,
Cheonan-city, Chungnam, Korea 330-836**

WWW.QSILaser.com

QL78G6SF-1

AlGaAs Laser Diode

Quantum Semiconductor International Co., Ltd.

Ver.0 Oct. 2008

◆ OVERVIEW

QL78G6SF-1 is a MOCVD grown 780nm band AlGaAs laser diode with quantum well structure. It's an attractive light source with a typical light output power of 15mW for industrial optical module and sensor application.

◆ APPLICATION

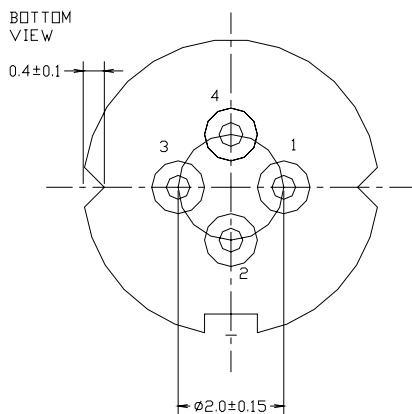
- Laser Printer
- Digital Copiers
- Industrial optical module

◆ FEATURES

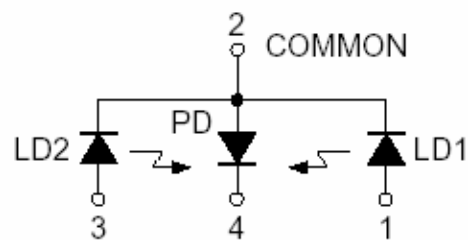
- Visible Light Output : $\lambda_p = 780 \text{ nm}$
- Optical Power Output : 15mW CW
- Dual Beam : 14um pitch (beam to beam)
- Package Type : TO-18 (5.6mm ϕ)
- Built-in Photo Diode for Monitoring Laser Diode

◆ ELECTRICAL CONNECTION

Bottom View



Pin Configuration



QL78G6SF-1

◆ ABSOLUTE MAXIMUM RATING at Tc=25°C

Items	Symbols	Values	Unit
Optical Output Power	P	18	mW
Laser Diode Reverse Voltage	V	2	V
Photo Diode Reverse Voltage	V	30	V
Operating Temperature	Topr	-10 ~ +60	°C
Storage Temperature	Tstg	-40 ~ +85	°C

◆ ELECTRICAL and OPTICAL CHARACTERISTICS at Tc=25°C

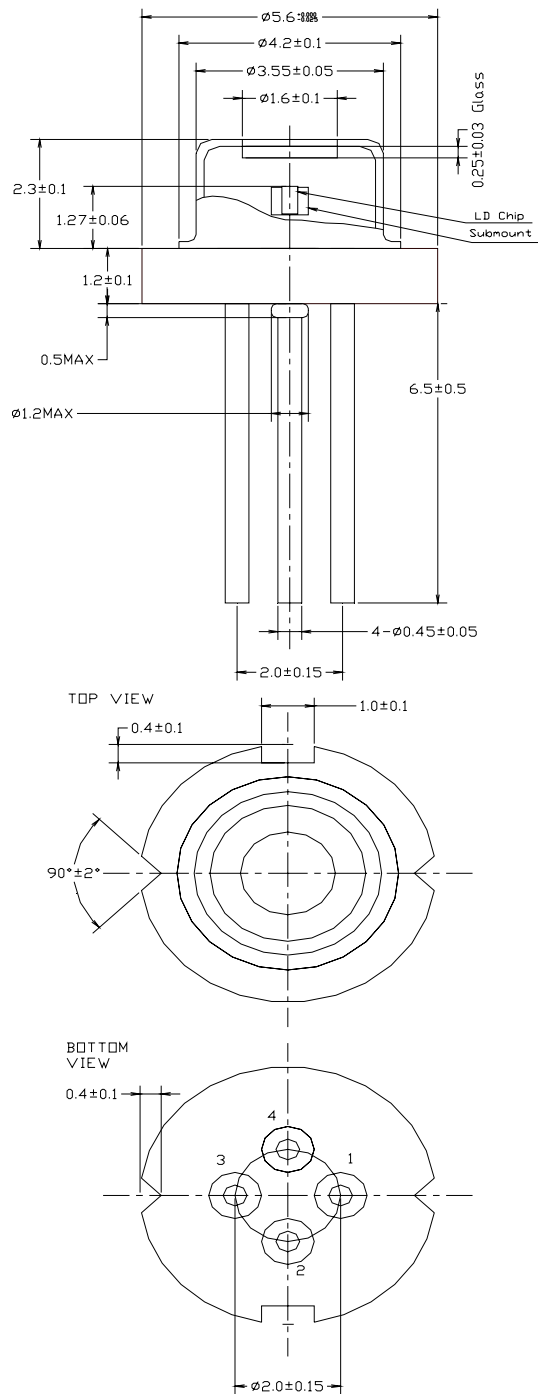
Items	Symbols	Min.	Typ.	Max.	Diff.	Unit	Condition
Optical Output Power	Po	-	15	-	-	mW	-
Threshold Current	Ith	8	14	20	2	mA	-
Operating Current	Iop	-	35	50	-	mA	Po=15mW
Differential efficiency	η	0.55	0.75	0.95	-	mW/mA	Po=15mW
Operating Voltage	Vop	1.5	2.0	2.4	-	V	Po=15mW
Lasing Wavelength	λ_p	775	788	800	1.8	nm	Po=15mW
Beam Divergence	θ_{\parallel}	7	9	12	2	deg	Po=15mW
	θ_{\perp}	25	31	35	3	deg	Po=15mW
Beam Angle	$\Delta\theta_{\parallel}$	-	-	± 2.0	-	deg	Po=15mW
	$\Delta\theta_{\perp}$	-	-	± 3.0	-	deg	Po=15mW
Monitor Current	I _m	0.6	1.3	2.0	30%	mA	Po=15mW
Optical Distance	$\Delta X, \Delta Y, \Delta Z$	-	-	± 80	-	μm	Po=15mW
Center to Center spacing between adjacent beams		13.5	14	14.5	-	μm	SEM measurement
Astigmatism	As	-	-	10	2	μm	Po=15mW
PD Dark Current	I _d	-	-	100	-	nA	-

NOTICE : QL78G6SF- 1 to be operated on APC circuit.

The above product specifications are subject to change without notice.



◆ PACKAGE DIMENSION



◆PACKING

